

# INSTRUCTION MANUAL

WVP-IS WAP-DS  
WVP-DS WAP-DZ  
WVP-DZ WAP-DE  
WVP-DE

## ISOLATION CONVERTER HIGH-RESPONSE ISOLATOR

Thank you for selecting another fine *watanabe* product. Please check the description given on the rating label of this unit to make sure that it meets your specifications and be sure to read this instruction manual before using the product.

This manual outlines the operation, connection and adjustment procedures of this product.

The unit has been manufactured and inspected according to our strict quality control standard. If you should find a defect including damage incurred during transportation, contact us or the dealer where you purchased it immediately.

### PACKAGE INCLUDES:

- Isolation converter.....1
- Base socket.....1

\* For details of models and specifications, please download the specification sheet from our website, and then check it.

## 1. PRECAUTIONS

### 1) Conformity with CE directive

This equipment is compliant with Installation Category II and Pollution Degree 2 environment. The insulation capability between signal input and output is basic insulation. Before installing, please check that the insulation class of this equipment satisfies your system requirements.

- Please be sure to install this equipment to the inside of a panel.
- Please use this equipment at an altitude of up to 2000 m.
- Compliance with EN standards:  
EN 61326-1 EMS: Industrial environments; EMI: Class A  
The wiring length should be not more than 30 m.

EN 61010-1  
EN IEC 63000

\* Custom-made items other than a catalog standard specification are outside CE conformity.

### 2) Power supply

Check the rated voltage on the front label, and use the product within the range of each of the following ratings ( $\Delta$  is indicated on the front label.)

- 100VAC...100VAC  $\pm 10\%$  (50/60 Hz) approx. 2.0 VA
- 110VAC...110VAC  $\pm 10\%$  (50/60 Hz) approx. 2.2 VA
- 200VAC...200VAC  $\pm 10\%$  (50/60 Hz) approx. 3.4 VA
- 220VAC...220VAC  $\pm 10\%$  (50/60 Hz) approx. 3.6 VA
- 24VDC...24VDC  $\pm 10\%$  approx. 60mA
- 110VDC...110VDC  $\pm 10\%$  approx. 10mA

### 3) Handling

When removing or mounting the main body from/to the socket, be sure to turn OFF the power supply and the input signal in advance to prevent any problems.

### 4) Installation

- This equipment is designed for indoor use.
- Please install the main body in a location where the ambient temperature is within  $-5$  to  $55^{\circ}\text{C}$  (at WVP-□□),  $-5$  to  $60^{\circ}\text{C}$  (at WAP-□□).
- Please install the main body in a location where relative humidity is less than 90%RH (no freezing or condensation).
- When the equipment is to be installed in a location where there is excessive dust or metal particles, house it in a dust-proof cabinet, which has a heat radiation function.
- Avoid exposing the equipment to vibration and impact, which may cause malfunction.
- Please do not block ventilation openings of the main body.

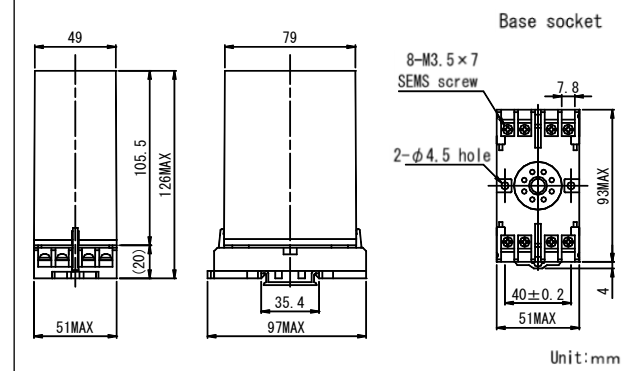
### 5) Wiring

- Be sure to keep the wiring of the power line, input signal line and output signal line away from any noise source, relay driving line and high-frequency line.
- Avoid clamping these lines together with a noise-superimposed line or putting them together in the same duct.

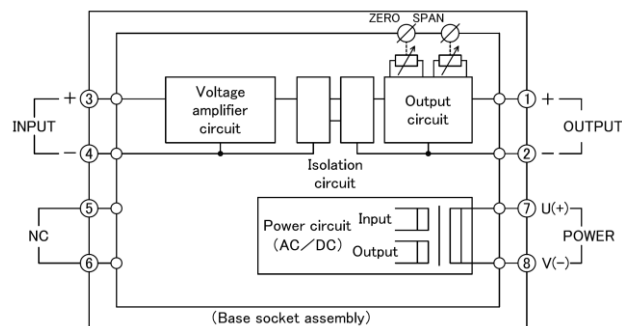
### 6) Others

- This equipment can be operated as soon as the power supply is turned ON. However, for optimum performance, allow 30 minutes of energizing time.
- This product is precision equipment. It is therefore recommended that you periodically calibrate it by performing ZERO and SPAN adjustments once a year.

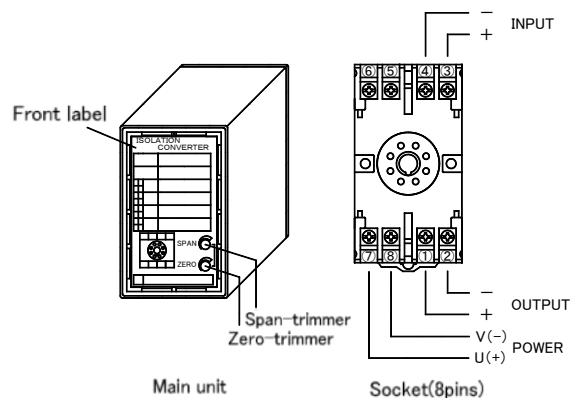
## 2. OUTLINE DIMENSIONS



## 3. CIRCUIT DIAGRAM



## 4. NAME OF EACH PART AND TERMINAL LAYOUT



Terminal No.	Symbol	Contents
1	OUTPUT	The signal based on the input/output specification is output.
2		
3	INPUT	Connect the specified input signal.
4		
5		No Connection
6		
7	POWER	Connect the power supply of the rated voltage.
8		

Connection points : M3.5 SEMS screw  
Screw tightening torque : Recommended: 0.8 N-m

## 5. ADJUSTMENT

Since this equipment has been properly calibrated at the time of shipping, each trimmer of ZERO and SPAN does not require adjustment as long as the equipment is operated according to the manufacturing specifications. If matching with connected equipment or routine calibration is required, observe the following procedures.

This calibration shall be made 30 minutes after the power supply is turned ON, using a signal source (such as standard voltage, current generator), and measuring instruments (voltmeter, ammeter), whose accuracies are 10 times or higher than that of this equipment. The ZERO and SPAN adjustment ranges are both about  $\pm 20\%$  fs. Multi-turn trimmers are installed for performing these adjustments.

- 1) ZERO adjustment: Apply a minimum value within the input range to the input terminals, and turn the zero-trimmer until the output signal reaches the minimum value within the output range.
- 2) SPAN adjustment: Apply a maximum value within the input range to the input terminals, and turn the span-trimmer until the output signal reaches the maximum value within the output range.

		In case of 4 to 20 mA(1 to 5 V) output.	In case of 0 to 10 V output.
Zero adjustment	Shifts the zero upwards. <b>ZERO</b> Shifts the zero downwards.		
	Widens the span. <b>SPAN</b> Narrows the span.		

## 6. Operation Against Conditions out of Range

### 1) Excessively large input

When a signal exceeding the upper limit of the input range is input, the output signal is increased nearly proportional to the input up to approx. 120%fs. If a greater input signal is input beyond that, the output signal won't be increased beyond approx. 120%fs.

### 2) Excessively small input

If a signal lower than the lower limit of the input range is input, with the voltage output, the output signal is reduced nearly proportional to the input down to -20%fs. If a smaller input signal is input, it doesn't decrease any more.

### 3) Load out of range

① In the case of current output, if the "allowable load resistance range" is exceeded, the output obtained will be roughly proportional to the input over the range to where the voltage between the output terminals becomes about 15 V. However, if the input exceeds this range, the output will saturate and the error will increase.

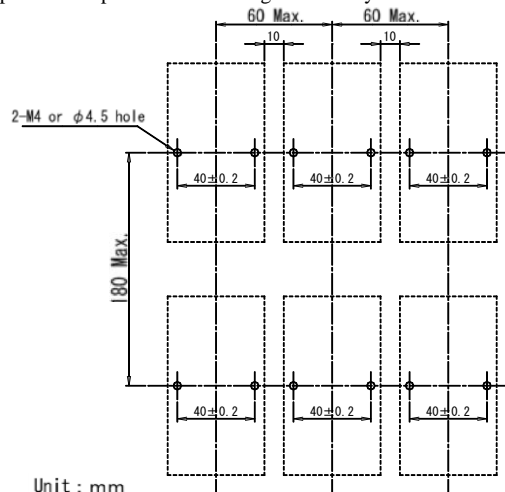
\*In case of the output specification beyond 20mAfs, the voltage between the output terminals will be until about 10 V.

② In the case of voltage output, if the output is reduced below the "allowable load resistance range", the output will saturate and the error will increase.

## 7. INSTALATION DIMENSIONS

When mounting the product on a wall, refer to the following figure diagram.

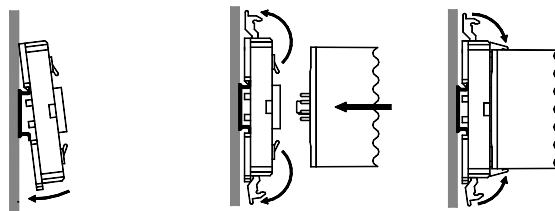
Install units with spaces between one another as following figure to prevent temperature from rising excessively.



## 8. Mounting and Removing to/from the DIN Rail

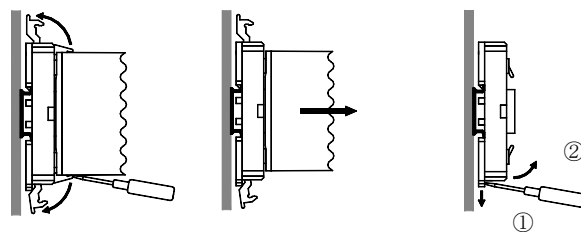
### How to fix to the DIN Rail

- 1) Please install it in the way which can read the character of the surface of the socket right. Engage the tab at the top of the rear surface of the socket with the rail, and then push in the bottom of the socket in the direction of the arrow to fix the product in place.
- 2) Please put the main body in a socket straight after a hook is opened outside.
- 3) Please bet and fix a hook.



### How to remove from the DIN Rail

- 1) Please remove a hook on both sides.
- 2) Please pull out the main body straight.
- 3) Please put a driver in a ditch of a slider, pull the lower part which is a socket while pulling it to the way of the arrow to front and take off to remove a socket.



## 9. WARRANTY

The warranty period for this equipment is one (1) years after delivery. If it should fail under the normal operation conditions within the warranty period, contact us or the dealer where you purchased the equipment as soon as possible.

We will repair the defective equipment free of charge or replace it with a new one if necessary. This warranty does not apply to equipment damaged due to disassembly, modifications or operation under conditions other than those specified.

We will not take any responsibility for any damage incurred due to this product.